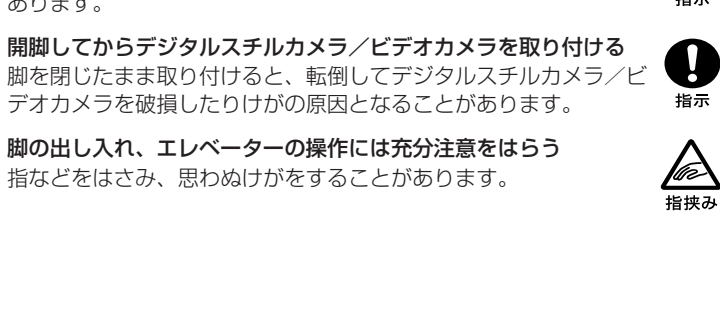
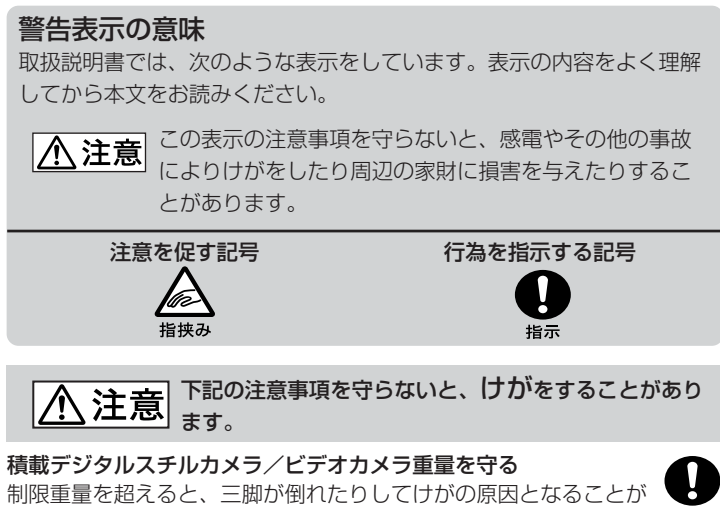
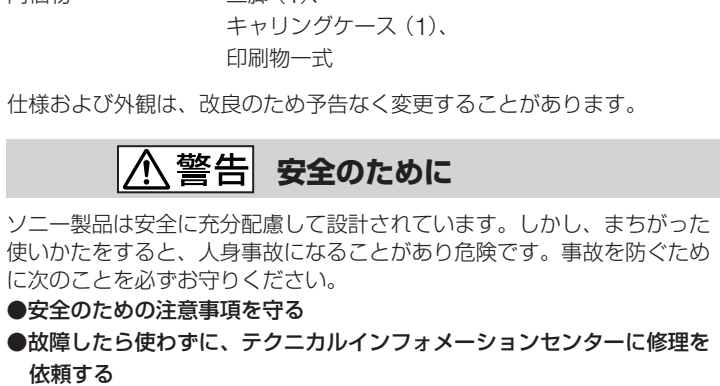
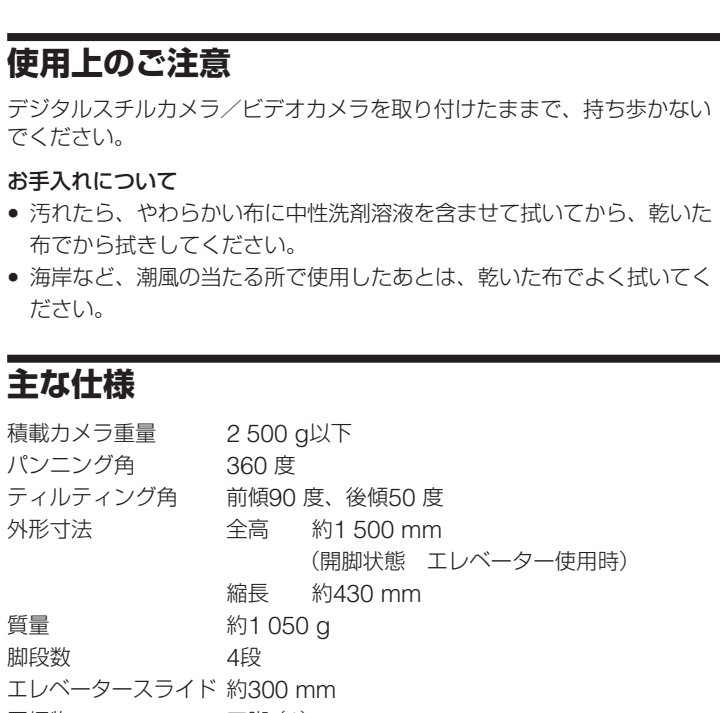
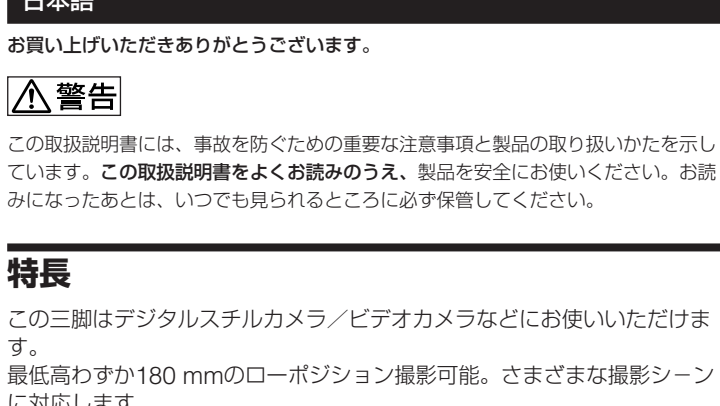
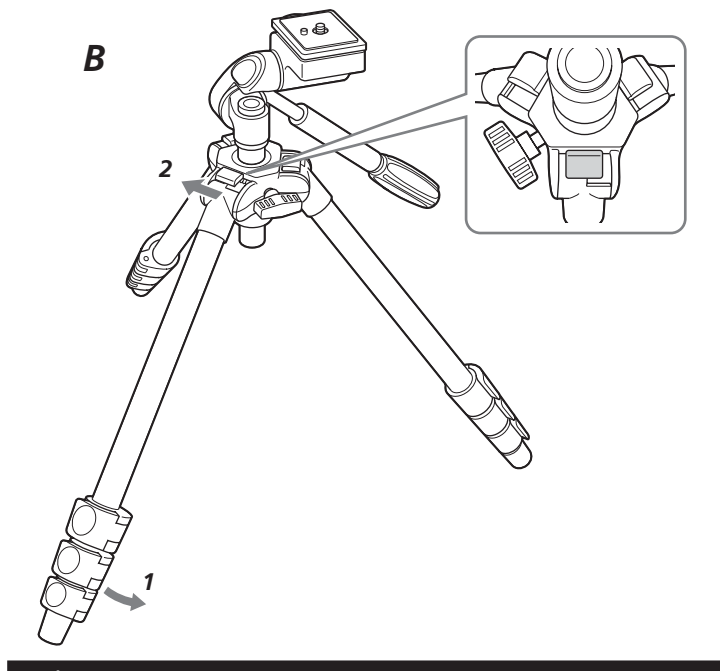
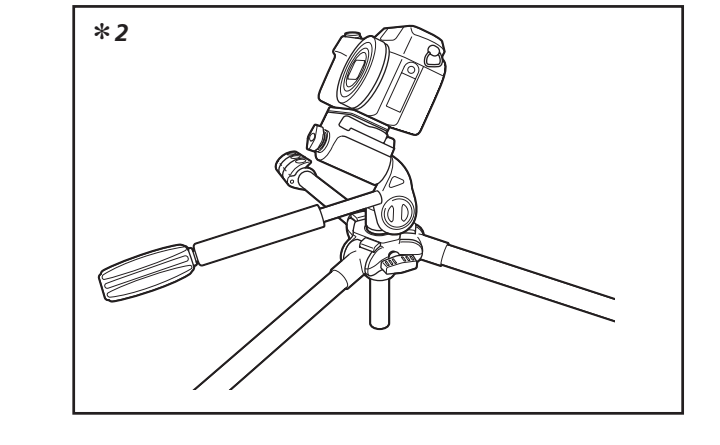
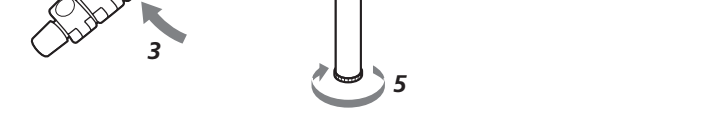
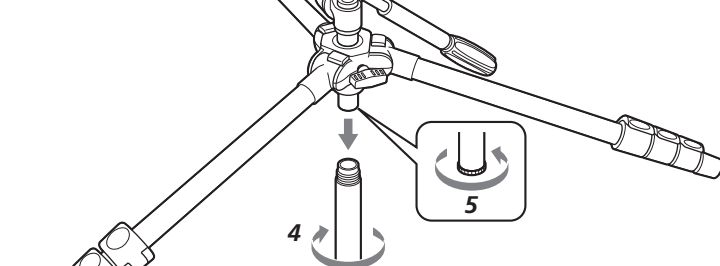
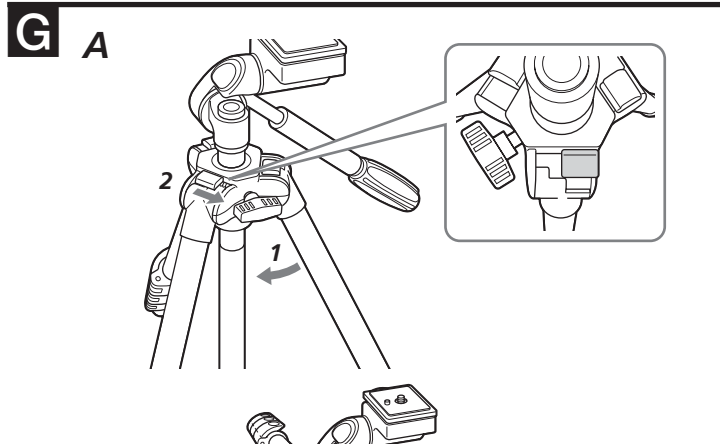
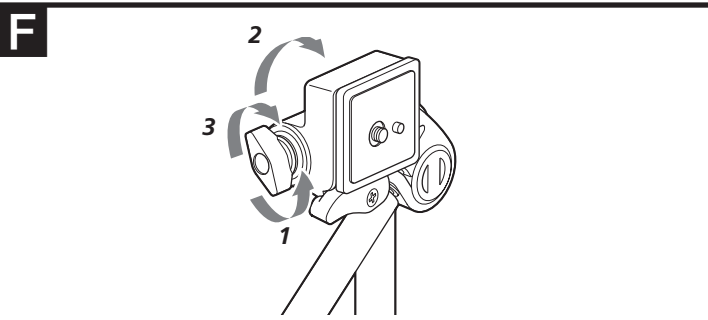
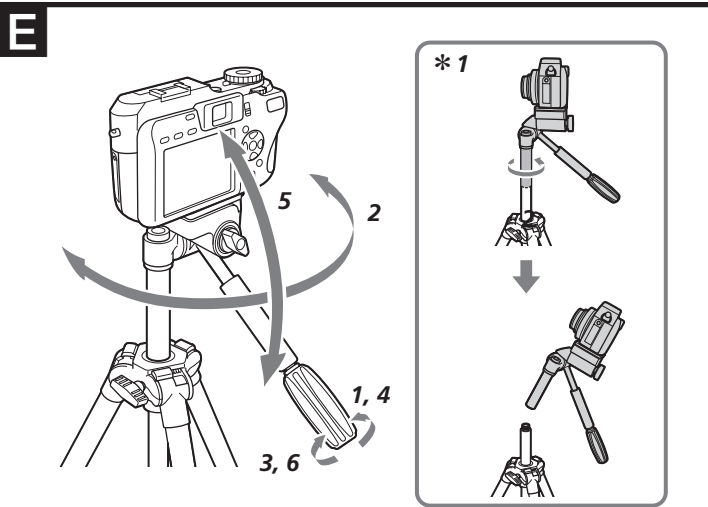
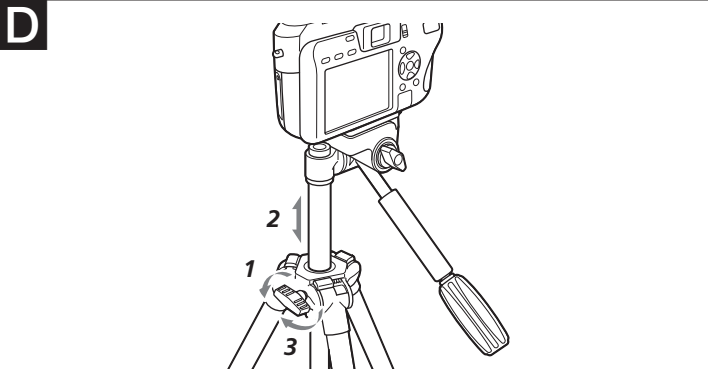
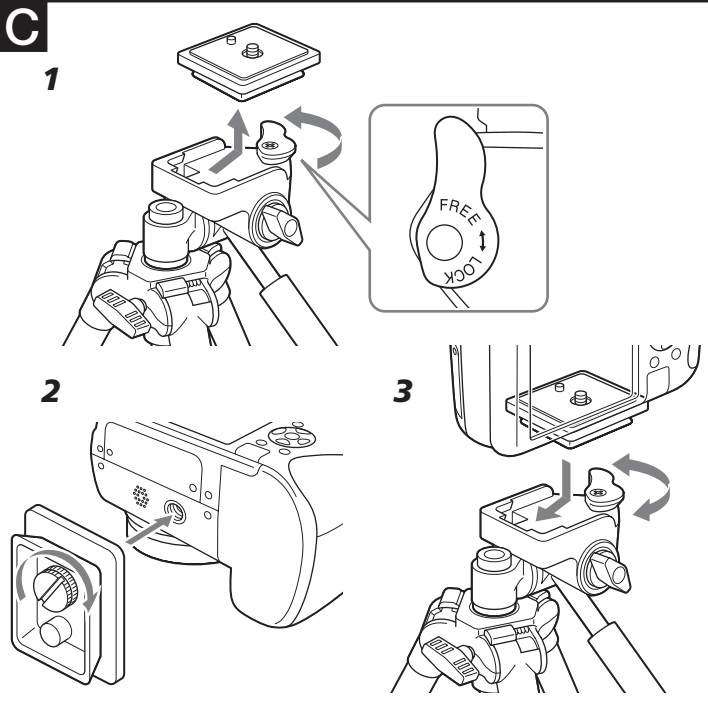
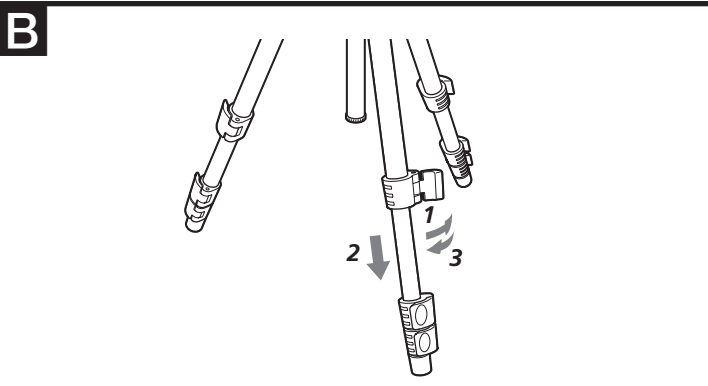
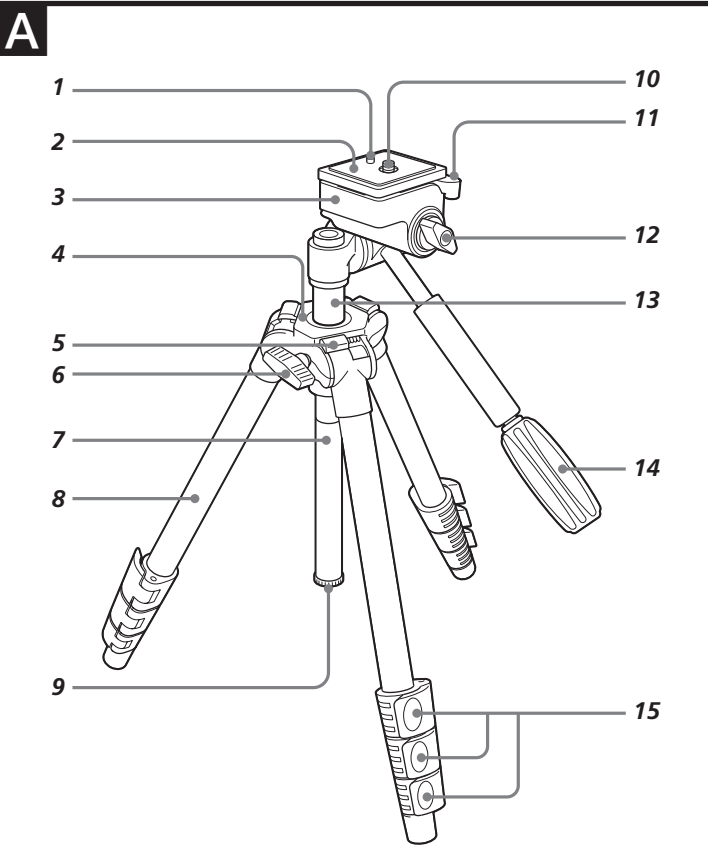


三脚 Tripod

取扱説明書/Operating Instructions/Mode d'emploi/Gebruiksaanleitung/Manual de instrucciones/Gebruiksaanwijzing/Bruksanvisning/Manuale di istruzioni/Manual de instruções/Инструкция по эксплуатации/使用説明書 / 使用说明书 / 사용설명서 / تعليمات

VCT-1500L

©2004 Sony Corporation Printed in China



A 各部分の名まえ

各項目についてA~Iをご覧ください。

- ビデオポス
- クイックシュー
- カメラ台
- 本体
- 脚調整ノブ
- エレベーターB
- 脚
- エレベーター
- カメララジ
- クイックシュー固定レバー
- カメラ台固定レバー
- エレベーターA
- パンハンドル
- パンロックレバー

B 三脚を立てる

脚ロックレバーを解除する。
 脚の高さを調節する。
 脚ロックレバーを締め、固定する。
 脚を開く。

ご注意
 三脚の脚はゆっくりと開いてください。強い力で引くると故障の原因になります。

C デジタルスチルカメラ/ビデオカメラを取り付ける

バッテリーパック「メモリースティック」、カセットは、デジタルスチルカメラ/ビデオカメラを三脚に取り付ける際には、ビデオポスをカメラに合わせた位置に挿入してください。

- クイックシュー固定レバーを「FREE」側に押しながら、クイックシューをはずす。
- クイックシューをデジタルスチルカメラ/ビデオカメラに取り付ける。
- クイックシュー固定レバーを「FREE」側に押しながら、クイックシューを取り付け、固定レバーが止まるまで「LOCK」側に押し固定する。

D 高さを調節する

エレベーターA/Bをゆるめる。
 カメラ台を上にてを動かす。適度な高さに合わせる。
 エレベーターA/Bを締め固定する。

E パンニング/ティルトイング

この三脚は(パンハンドル)1本で、(パンニング/ティルトロック)ができます。パンハンドルを軽く締めるとティルトロックになり、そこからさらに締めるとパンロックになります。

エレベーターA/Bがしっかり締まっているか確認してから、パンニング/ティルトイングが行ってください。締めかたが充分でないと、画像がぶれる原因になります。

F パンニング/ティルトイング

この三脚はローポジション対応のため、エレベーターが本機にわたっていません。エレベーターAとエレベーターBの接続部分を本体に取り上げ、パンロックした状態で調整可能なパンニング/クイックシューを、エレベーターA/BからエレベーターA/Bに取り付けます。エレベーターA/Bをパンニングするときは、エレベーターAとエレベーターBをしっかり締め、必ずパンロックをゆるめるでご使用ください。

***1 ご注意**
 この三脚はローポジション対応のため、エレベーターが本機にわたっていません。エレベーターAとエレベーターBの接続部分を本体に取り上げ、パンロックした状態で調整可能なパンニング/クイックシューを、エレベーターA/BからエレベーターA/Bに取り付けます。エレベーターA/Bをパンニングするときは、エレベーターAとエレベーターBをしっかり締め、必ずパンロックをゆるめるでご使用ください。

G ティルトイング

デジタルスチルカメラ/ビデオカメラを上にて動かして撮影することが出来ます。

- パンハンドルをゆるめる。
- パンハンドルを上にてを動かす。適度な高さに合わせる。
- パンハンドルをゆるめる。

H カメラ台の角度を変える

縦位置撮影ができます。
 カメラ台を右側または、左側へおこす。
 カメラ台を右側を締める。

I 開脚角度の設定方法

ローポジション(イラストA)
 1 脚を閉じる。
 2 脚調整ノブをカチッと止まるまで右方向スライドさせる。
 3 脚をいっぱい閉じる。
 4 エレベーターA/Bをはずす。
 5 エレベーターBのストッパーをはずし、エレベーターA接続部分に取り付ける。

セミローポジション(イラストB)
 1 ゆっくり脚を閉じる。
 2 ローポジションの状態から、脚調整ノブが自動的にカチッと左方向にスライドする。
 3 この位置がセミローポジションです。

J 標準ポジション

1 脚を閉じて開く。
 2 エレベーターBをはずすという場合取り付け。

ご注意
 ローポジションとセミローポジションで使用されないときは、脚をのぼすと、強度が充分取れませんので、脚はのぼさないでご利用ください。

K 保証書とアフターサービス

保証書
 この製品には保証書が添付されています。お買い上げの際、お受け取りください。
 所定事項の記入および記載内容をお確かめのうえ、大切に保存してください。
 保証期間は、お買い上げ日より1年間です。

アフターサービス
 脚子が壊れたときはまずチェック
 この取扱説明書をもう一度ご覧になってお調べください。
 それでも具合が悪いときは
 テクニカルインフォメーションセンターにご相談ください。

L 保証期間中の修理

保証書の記載内容に基づいて修理させていただきます。詳しくは保証書をご覧ください。

修理開始後の修理
 修理は、修理完了後、機能が維持できる場合は、ご希望により有償修理させていただきます。

M 修理期間中の修理

修理は、修理完了後、機能が維持できる場合は、ご希望により有償修理させていただきます。

ご相談になるときは次のことをお知らせください。
 ・型名：VCT-1500L
 ・故障の状況、できるだけ詳しく、
 ・お買い上げ年月日

N Mounting the Digital Still Camera/Video Camera

Install the battery pack, "Memory Stick" and a cassette in digital still camera/video camera before mounting to the tripod.

- While pulling the camera mounting shoe lock lever fully to "FREE", slide out the camera mounting shoe from the tripod head.
- Attach the camera mounting shoe to the digital still camera/video camera. Tighten the screw firmly.
- When you attach the video camera, align the pin with the positioning hole.
- While pulling the camera mounting shoe lock lever fully to "FREE", replace the camera mounting shoe with the camera attached into the tripod head. Then, push the camera mounting shoe lock lever to "LOCK" to lock.

O テクニカルインフォメーションセンター

製品の品質には万全を期しておりますが、万が一不具合が生じた場合は、「テクニカルインフォメーションセンター」までご連絡ください。修理に関するご案内をさせていただきます。また修理が必要な場合は、お客様の自宅まで指定宅配便にて集荷頂くことができますので、まずお電話ください。

●ダイヤル： ☎0670-00-0066
 (全国どこでも年中無休でご利用いただけます)
 ●携帯電話： PH.Sでのご利用は・・・0466-38-0253
 (ナビダイヤルが使用できない場合はこちらをご利用ください)

受付時間：月～金曜日 午前9時～午後8時
 土、日曜日、祝日 午前9時～午後5時
 お電話される際、本機の型名(VCT-1500L)をお知らせください。より迅速な対応が可能になります。

P Adjusting the Height of the Elevator

- Loosen the elevator lock knob.
- Adjust the height by moving the tripod head.
- Tighten the elevator lock knob.

English

WARNING

This equipment has been tested and found to comply with the limits for Class B digital device, pursuant to Part 15 of the FCC Rules. These limits are designed to provide reasonable protection against harmful interference in a residential installation. This equipment generates, uses, and can radiate radio frequency energy and, if not installed and used in accordance with the instructions, may cause harmful interference to radio communications. However, there is no guarantee that interference will not occur in a particular installation. If this equipment does cause harmful interference to radio communications, you may be required to correct the interference by one or more of the following measures:
 - Reorient or relocate the receiving antenna.
 - Increase the separation between the equipment and receiver.
 - Connect the equipment to an outlet on a circuit different from that to which the receiver is connected.
 - Consult the dealer or an experienced radio/TV technician for help.

You are cautioned that any changes or modifications not expressly approved in this manual could void your authority to operate this equipment.
For the customers in Germany
 Directive: EMC Directive 89/336/EEC, 92/31/EEC
 This equipment complies with the EMC regulations which apply under the following circumstances:
 - Residential area
 - Business district
 - Light-industrial district
 (This equipment complies with the EMC standard regulations EN55022 Class B.)

English

WARNING

This equipment has been tested and found to comply with the limits for Class B digital device, pursuant to Part 15 of the FCC Rules. These limits are designed to provide reasonable protection against harmful interference in a residential installation. This equipment generates, uses, and can radiate radio frequency energy and, if not installed and used in accordance with the instructions, may cause harmful interference to radio communications. However, there is no guarantee that interference will not occur in a particular installation. If this equipment does cause harmful interference to radio communications, you may be required to correct the interference by one or more of the following measures:
 - Reorient or relocate the receiving antenna.
 - Increase the separation between the equipment and receiver.
 - Connect the equipment to an outlet on a circuit different from that to which the receiver is connected.
 - Consult the dealer or an experienced radio/TV technician for help.

You are cautioned that any changes or modifications not expressly approved in this manual could void your authority to operate this equipment.
For the customers in Germany
 Directive: EMC Directive 89/336/EEC, 92/31/EEC
 This equipment complies with the EMC regulations which apply under the following circumstances:
 - Residential area
 - Business district
 - Light-industrial district
 (This equipment complies with the EMC standard regulations EN55022 Class B.)

English

WARNING

This equipment has been tested and found to comply with the limits for Class B digital device, pursuant to Part 15 of the FCC Rules. These limits are designed to provide reasonable protection against harmful interference in a residential installation. This equipment generates, uses, and can radiate radio frequency energy and, if not installed and used in accordance with the instructions, may cause harmful interference to radio communications. However, there is no guarantee that interference will not occur in a particular installation. If this equipment does cause harmful interference to radio communications, you may be required to correct the interference by one or more of the following measures:
 - Reorient or relocate the receiving antenna.
 - Increase the separation between the equipment and receiver.
 - Connect the equipment to an outlet on a circuit different from that to which the receiver is connected.
 - Consult the dealer or an experienced radio/TV technician for help.

You are cautioned that any changes or modifications not expressly approved in this manual could void your authority to operate this equipment.
For the customers in Germany
 Directive: EMC Directive 89/336/EEC, 92/31/EEC
 This equipment complies with the EMC regulations which apply under the following circumstances:
 - Residential area
 - Business district
 - Light-industrial district
 (This equipment complies with the EMC standard regulations EN55022 Class B.)

English

WARNING

This equipment has been tested and found to comply with the limits for Class B digital device, pursuant to Part 15 of the FCC Rules. These limits are designed to provide reasonable protection against harmful interference in a residential installation. This equipment generates, uses, and can radiate radio frequency energy and, if not installed and used in accordance with the instructions, may cause harmful interference to radio communications. However, there is no guarantee that interference will not occur in a particular installation. If this equipment does cause harmful interference to radio communications, you may be required to correct the interference by one or more of the following measures:
 - Reorient or relocate the receiving antenna.
 - Increase the separation between the equipment and receiver.
 - Connect the equipment to an outlet on a circuit different from that to which the receiver is connected.
 - Consult the dealer or an experienced radio/TV technician for help.

You are cautioned that any changes or modifications not expressly approved in this manual could void your authority to operate this equipment.
For the customers in Germany
 Directive: EMC Directive 89/336/EEC, 92/31/EEC
 This equipment complies with the EMC regulations which apply under the following circumstances:
 - Residential area
 - Business district
 - Light-industrial district
 (This equipment complies with the EMC standard regulations EN55022 Class B.)

English

WARNING

This equipment has been tested and found to comply with the limits for Class B digital device, pursuant to Part 15 of the FCC Rules. These limits are designed to provide reasonable protection against harmful interference in a residential installation. This equipment generates, uses, and can radiate radio frequency energy and, if not installed and used in accordance with the instructions, may cause harmful interference to radio communications. However, there is no guarantee that interference will not occur in a particular installation. If this equipment does cause harmful interference to radio communications, you may be required to correct the interference by one or more of the following measures:
 - Reorient or relocate the receiving antenna.
 - Increase the separation between the equipment and receiver.
 - Connect the equipment to an outlet on a circuit different from that to which the receiver is connected.
 - Consult the dealer or an experienced radio/TV technician for help.

You are cautioned that any changes or modifications not expressly approved in this manual could void your authority to operate this equipment.
For the customers in Germany
 Directive: EMC Directive 89/336/EEC, 92/31/EEC
 This equipment complies with the EMC regulations which apply under the following circumstances:
 - Residential area
 - Business district
 - Light-industrial district
 (This equipment complies with the EMC standard regulations EN55022 Class B.)

English

WARNING

This equipment has been tested and found to comply with the limits for Class B digital device, pursuant to Part 15 of the FCC Rules. These limits are designed to provide reasonable protection against harmful interference in a residential installation. This equipment generates, uses, and can radiate radio frequency energy and, if not installed and used in accordance with the instructions, may cause harmful interference to radio communications. However, there is no guarantee that interference will not occur in a particular installation. If this equipment does cause harmful interference to radio communications, you may be required to correct the interference by one or more of the following measures:
 - Reorient or relocate the receiving antenna.
 - Increase the separation between the equipment and receiver.
 - Connect the equipment to an outlet on a circuit different from that to which the receiver is connected.
 - Consult the dealer or an experienced radio/TV technician for help.

You are cautioned that any changes or modifications not expressly approved in this manual could void your authority to operate this equipment.
For the customers in Germany
 Directive: EMC Directive 89/336/EEC, 92/31/EEC
 This equipment complies with the EMC regulations which apply under the following circumstances:
 - Residential area
 - Business district
 - Light-industrial district
 (This equipment complies with the EMC standard regulations EN55022 Class B.)

English

WARNING

This equipment has been tested and found to comply with the limits for Class B digital device, pursuant to Part 15 of the FCC Rules. These limits are designed to provide reasonable protection against harmful interference in a residential installation. This equipment generates, uses, and can radiate radio frequency energy and, if not installed and used in accordance with the instructions, may cause harmful interference to radio communications. However, there is no guarantee that interference will not occur in a particular installation. If this equipment does cause harmful interference to radio communications, you may be required to correct the interference by one or more of the following measures:
 - Reorient or relocate the receiving antenna.
 - Increase the separation between the equipment and receiver.
 - Connect the equipment to an outlet on a circuit different from that to which the receiver is connected.
 - Consult the dealer or an experienced radio/TV technician for help.

You are cautioned that any changes or modifications not expressly approved in this manual could void your authority to operate this equipment.
For the customers in Germany
 Directive: EMC Directive 89/336/EEC, 92/31/EEC
 This equipment complies with the EMC regulations which apply under the following circumstances:
 - Residential area
 - Business district
 - Light-industrial district
 (This equipment complies with the EMC standard regulations EN55022 Class B.)

English

WARNING

This equipment has been tested and found to comply with the limits for Class B digital device, pursuant to Part 15 of the FCC Rules. These limits are designed to provide reasonable protection against harmful interference in a residential installation. This equipment generates, uses, and can radiate radio frequency energy and, if not installed and used in accordance with the instructions, may cause harmful interference to radio communications. However, there is no guarantee that interference will not occur in a particular installation. If this equipment does cause harmful interference to radio communications, you may be required to correct the interference by one or more of the following measures:
 - Reorient or relocate the receiving antenna.
 - Increase the separation between the equipment and receiver.
 - Connect the equipment to an outlet on a circuit different from that to which the receiver is connected.
 - Consult the dealer or an experienced radio/TV technician for help.

You are cautioned that any changes or modifications not expressly approved in this manual could void your authority to operate this equipment.
For the customers in Germany
 Directive: EMC Directive 89/336/EEC, 92/31/EEC
 This equipment complies with the EMC regulations which apply under the following circumstances:
 - Residential area
 - Business district
 - Light-industrial district
 (This equipment complies with the EMC standard regulations EN55022 Class B.)

English

WARNING

This equipment has been tested and found to comply with the limits for Class B digital device, pursuant to Part 15 of the FCC Rules. These limits are designed to provide reasonable protection against harmful interference in a residential installation. This equipment generates, uses, and can radiate radio frequency energy and, if not installed and used in accordance with the instructions, may cause harmful interference to radio communications. However, there is no guarantee that interference will not occur in a particular installation. If this equipment does cause harmful interference to radio communications, you may be required to correct the interference by one or more of the following measures:
 - Reorient or relocate the receiving antenna.
 - Increase the separation between the equipment and receiver.
 - Connect the equipment to an outlet on a circuit different from that to which the receiver is connected.
 - Consult the dealer or an experienced radio/TV technician for help.

You are cautioned that any changes or modifications not expressly approved in this manual could void your authority to operate this equipment.
For the customers in Germany
 Directive: EMC Directive 89/336/EEC, 92/31/EEC
 This equipment complies with the EMC regulations which apply under the following circumstances:
 - Residential area
 - Business district
 - Light-industrial district
 (This equipment complies with the EMC standard regulations EN55022 Class B.)

English

WARNING

This equipment has been tested and found to comply with the limits for Class B digital device, pursuant to Part 15 of the FCC Rules. These limits are designed to provide reasonable protection against harmful interference in a residential installation. This equipment generates, uses, and can radiate radio frequency energy and, if not installed and used in accordance with the instructions, may cause harmful interference to radio communications. However, there is no guarantee that interference will not occur in a particular installation. If this equipment does cause harmful interference to radio communications, you may be required to correct the interference by one or more of the following measures:
 - Reorient or relocate the receiving antenna.
 - Increase the separation between the equipment and receiver.
 - Connect the equipment to an outlet on a circuit different from that to which the receiver is connected.
 - Consult the dealer or an experienced radio/TV technician for help.

You are cautioned that any changes or modifications not expressly approved in this manual could void your authority to operate this equipment.
For the customers in Germany
 Directive: EMC Directive 89/336/EEC, 92/31/EEC
 This equipment complies with the EMC regulations which apply under the following circumstances:
 - Residential area
 - Business district
 - Light-industrial district
 (This equipment complies with the EMC standard regulations EN55022 Class B.)

English

WARNING

This equipment has been tested and found to comply with the limits for Class B digital device, pursuant to Part 15 of the FCC Rules. These limits are designed to provide reasonable protection against harmful interference in a residential installation. This equipment generates, uses, and can radiate radio frequency energy and, if not installed and used in accordance with the instructions, may cause harmful interference to radio communications. However, there is no guarantee that interference will not occur in a particular installation. If this equipment does cause harmful interference to radio communications, you may be required to correct the interference by one or more of the following measures:
 - Reorient or relocate the receiving antenna.
 - Increase the separation between the equipment and receiver.
 - Connect the equipment to an outlet on a circuit different from that to which the receiver is connected.
 - Consult the dealer or an experienced radio/TV technician for help.

You are cautioned that any changes or modifications not expressly approved in this manual could void your authority to operate this equipment.
For the customers in Germany
 Directive: EMC Directive 89/336/EEC, 92/31/EEC
 This equipment complies with the EMC regulations which apply under the following circumstances:
 - Residential area
 - Business district
 - Light-industrial district
 (This equipment complies with the EMC standard regulations EN55022 Class B.)

English

WARNING

This equipment has been tested and found to comply with the limits for Class B digital device, pursuant to Part 15 of the FCC Rules. These limits are designed to provide reasonable protection against harmful interference in a residential installation. This equipment generates, uses, and can radiate radio frequency energy and, if not installed and used in accordance with the instructions, may cause harmful interference to radio communications. However, there is no guarantee that interference will not occur in a particular installation. If this equipment does cause harmful interference to radio communications, you may be required to correct the interference by one or more of the following measures:
 - Reorient or relocate the receiving antenna.
 - Increase the separation between the equipment and receiver.
 - Connect the equipment to an outlet on a circuit different from that to which the receiver is connected.
 - Consult the dealer or an experienced radio/TV technician for help.

You are cautioned that any changes or modifications not expressly approved in this manual could void your authority to operate this equipment.
For the customers in Germany
 Directive: EMC Directive 89/336/EEC, 92/31/EEC
 This equipment complies with the EMC regulations which apply under the following circumstances:
 - Residential area
 - Business district
 - Light-industrial district
 (This equipment complies with the EMC standard regulations EN55022 Class B.)

English

WARNING

This equipment has been tested and found to comply with the limits for Class B digital device, pursuant to Part 15 of the FCC Rules. These limits are designed to provide reasonable protection against harmful interference in a residential installation. This equipment generates, uses, and can radiate radio frequency energy and, if not installed and used in accordance with the instructions, may cause harmful interference to radio communications. However, there is no guarantee that interference will not occur in a particular installation. If this equipment does cause harmful interference to radio communications, you may be required to correct the interference by one or more of the following measures:
 - Reorient or relocate the receiving antenna.
 - Increase the separation between the equipment and receiver.
 - Connect the equipment to an outlet on a circuit different from that to which the receiver is connected.
 - Consult the dealer or an experienced radio/TV technician for help.

You are cautioned that any changes or modifications not expressly approved in this manual could void your authority to operate this equipment.
For the customers in Germany
 Directive: EMC Directive 89/336/EEC, 92/31/EEC
 This equipment complies with the EMC regulations which apply under the following circumstances:
 - Residential area
 - Business district
 - Light-industrial district
 (This equipment complies with the EMC standard regulations EN55022 Class B.)

English

WARNING

This equipment has been tested and found to comply with the limits for Class B digital device, pursuant to Part 15 of the FCC Rules. These limits are designed to provide reasonable protection against harmful interference in a residential installation. This equipment generates, uses, and can radiate radio frequency energy and, if not installed and used in accordance with the instructions, may cause harmful interference to radio communications. However, there is no guarantee that interference will not occur in a particular installation. If this equipment does cause harmful interference to radio communications, you may be required to correct the interference by one or more of the following measures:
 - Reorient or relocate the receiving antenna.
 - Increase the separation between the equipment and receiver.
 - Connect the equipment to an outlet on a circuit different from that to which the receiver is connected.
 - Consult the dealer or an experienced radio/TV technician for help.

You are cautioned that any changes or modifications not expressly approved in this manual could void your authority to operate this equipment.
For the customers in Germany
 Directive: EMC Directive 89/336/EEC, 92/31/EEC
 This equipment complies with the EMC regulations which apply under the following circumstances:
 - Residential area
 - Business district
 - Light-industrial district
 (This equipment complies with the EMC standard regulations EN55022 Class B.)

English

WARNING

This equipment has been tested and found to comply with the limits for Class B digital device, pursuant to Part 15 of the FCC Rules. These limits are designed to provide reasonable protection against harmful interference in a residential installation. This equipment generates, uses, and can radiate radio frequency energy and, if not installed and used in accordance with the instructions, may cause harmful interference to radio communications. However, there is no guarantee that interference will not occur in a particular installation. If this equipment does cause harmful interference to radio communications, you may be required to correct the interference by one or more of the following measures:
 - Reorient or relocate the receiving antenna.
 - Increase the separation between the equipment and receiver.
 - Connect the equipment to an outlet on a circuit different from that to which the receiver is connected.
 - Consult the dealer or an experienced radio/TV technician for help.

You are cautioned that any changes or modifications not expressly approved in this manual could void your authority to operate this equipment.
For the customers in Germany
 Directive: EMC Directive 89/336/EEC, 92/31/EEC
 This equipment complies with the EMC regulations which apply under the following circumstances:
 - Residential area
 - Business district
 - Light-industrial district
 (This equipment complies with the EMC standard regulations EN55022 Class B.)

English

WARNING

This equipment has been tested and found to comply with the limits for Class B digital device, pursuant to Part 15 of the FCC Rules. These limits are designed to provide reasonable protection against harmful interference in a residential installation. This equipment generates, uses, and can radiate radio frequency energy and, if not installed and used in accordance with the instructions, may cause harmful interference to radio communications. However, there is no guarantee that interference will not occur in a particular installation. If this equipment does cause harmful interference to radio communications, you may be required to correct the interference by one or more of the following measures:
 - Reorient or relocate the receiving antenna.
 - Increase the separation between the equipment and receiver.
 - Connect the equipment to an outlet on a circuit different from that to which the receiver is connected.
 - Consult the dealer or an experienced radio/TV technician for help.

You are cautioned that any changes or modifications not expressly approved in this manual could void your authority to operate this equipment.
For the customers in Germany
 Directive: EMC Directive 89/336/EEC, 92/31/EEC
 This equipment complies with the EMC regulations which apply under the following circumstances:
 - Residential area
 - Business district
 - Light-industrial district
 (This equipment complies with the EMC standard regulations EN55022 Class B.)

English

WARNING

This equipment has been tested and found to comply with the limits for Class B digital device, pursuant to Part 15 of the FCC Rules. These limits are designed to provide reasonable protection against harmful interference in a residential installation. This equipment generates, uses, and can radiate radio frequency energy and, if not installed and used in accordance with the instructions, may cause harmful interference to radio communications. However, there is no guarantee that interference will not occur in a particular installation. If this equipment does cause harmful interference to radio communications, you may be required to correct the interference by one or more of the following measures:
 - Reorient or relocate the receiving antenna.
 - Increase the separation between the equipment and receiver.
 - Connect the equipment to an outlet on a circuit different from that to which the receiver is connected.
 - Consult the dealer or an experienced radio/TV technician for help.

You are cautioned that any changes or modifications not expressly approved in this manual could void your authority to operate this equipment.
For the customers in Germany
 Directive: EMC Directive 89/336/EEC, 92/31/EEC
 This equipment complies with the EMC regulations which apply under the following circumstances:
 - Residential area
 - Business district
 - Light-industrial district
 (This equipment complies with the EMC standard regulations EN55022 Class B.)

English

WARNING

This equipment has been tested and found to comply with the limits for Class B digital device, pursuant to Part 15 of the FCC Rules. These limits are designed to provide reasonable protection against harmful interference in a residential installation. This equipment generates, uses, and can radiate radio frequency energy and, if not installed and used in accordance with the instructions, may cause harmful interference to radio communications. However, there is no guarantee that interference will not occur in a particular installation. If this equipment does cause harmful interference to radio communications, you may be required to correct the interference by one or more of the following measures:
 - Reorient or relocate the receiving antenna.
 - Increase the separation between the equipment and receiver.
 - Connect the equipment to an outlet on a circuit different from that to which the receiver is connected.
 - Consult the dealer or an experienced radio/TV technician for help.

You are cautioned that any changes or modifications not expressly approved in this manual could void your authority to operate this equipment.
For the customers in Germany
 Directive: EMC Directive 89/336/EEC, 92/31/EEC
 This equipment complies with the EMC regulations which apply under the following circumstances:
 - Residential area
 - Business district
 - Light-industrial district
 (This equipment complies with the EMC standard regulations EN55022 Class B.)

English

WARNING

This equipment has been tested and found to comply with the limits for Class B digital device, pursuant to Part 15 of the FCC Rules. These limits are designed to provide reasonable protection against harmful interference in a residential installation. This equipment generates, uses, and can radiate radio frequency energy and, if not installed and used in accordance with the instructions, may cause harmful interference to radio communications. However, there is no guarantee that interference will not occur in a particular installation. If this equipment does cause harmful interference to radio communications, you may be required to correct the interference by one or more of the following measures:
 - Reorient or relocate the receiving antenna.
 - Increase the separation between the equipment and receiver.
 - Connect the equipment to an outlet on a circuit different from that to which the receiver is connected.
 - Consult the dealer or an experienced radio/TV technician for help.

You are cautioned that any changes or modifications not expressly approved in this manual could void your authority to operate this equipment.
For the customers in Germany
 Directive: EMC Directive 89/336/EEC, 92/31/EEC
 This equipment complies with the EMC regulations which apply under the following circumstances:
 - Residential area
 - Business district
 - Light-industrial district
 (This equipment complies with the EMC standard regulations EN55022 Class B.)

English

WARNING

This equipment has been tested and found to comply with the limits for Class B digital device, pursuant to Part 15 of the FCC Rules. These limits are designed to provide reasonable protection against harmful interference in a residential installation. This equipment generates, uses, and can radiate radio frequency energy and, if not installed and used in accordance with the instructions, may cause harmful interference to radio communications. However, there is no guarantee that interference will not occur in a particular installation. If this equipment does cause harmful interference to radio communications, you may be required to correct the interference by one or more of the following measures:
 - Reorient or relocate the receiving antenna.
 - Increase the separation between the equipment and receiver.
 - Connect the equipment to an outlet on a circuit different from that to which the receiver is connected.
 - Consult the dealer or an experienced radio/TV technician for help.

You are cautioned that any changes or modifications not expressly approved in this manual could void your authority to operate this equipment.
For the customers in Germany
 Directive: EMC Directive 89/336/EEC, 92/31/EEC
 This equipment complies with the EMC regulations which apply under the following circumstances:
 - Residential area
 - Business district
 - Light-industrial district
 (This equipment complies with the EMC standard regulations EN55022 Class B.)

ソニー株式会社 〒108-0075 東京都港区港南1-7-1

Français

AVERTISSEMENT

Toute modification ou tout changement non approuvé expressément dans ce manuel peut conduire à l'interdiction de l'emploi de cet appareil.

Caractéristiques
 Le VCT-1500L est un trépied pour appareils photo/caméscope. Il est équipé d'un pied réglable et d'un pied fixe.

Panoramic
 1 Déserrez la poignée de panoramique.
 2 Tournez la position en bougeant la poignée de panoramique.
 3 Serrez la poignée de panoramique. (Verrouillage du panoramique vertical)

ATTENTION
 Ne jamais transporter le trépied par l'appareil photo ou le caméscope numérique.

Nettoyage
 Nettoyez le trépied avec un chiffon doux, légèrement imprégné d'une solution détergente douce.

Spécifications
 Charge maximale : 2500 g (88 oz)
 Angle de panoramique horizontal : 360 degrés
 Niveau des pieds : 1 Fermez les pieds.
 2 Poussez la molette de réglage d'écartement vers la droite jusqu'à ce qu'elle s'encliquette.
 3 Ouvrez complètement les pieds.
 4 Retirez l'élevateur B.
 5 Retirez le vis de butée d'élevateur B, puis fixez la vis de butée d'élevateur A au raccord de l'élevateur A.

Français

AVERTISSEMENT

Toute modification ou tout changement non approuvé expressément dans ce manuel peut conduire à l'interdiction de l'emploi de cet appareil.

Caractéristiques
 Le VCT-1500L est un trépied pour appareils photo/caméscope. Il est équipé d'un pied réglable et d'un pied fixe.

Panoramic
 1 Déserrez la poignée de panoramique.
 2 Tournez la position en bougeant la poignée de panoramique.
 3 Serrez la poignée de panoramique. (Verrouillage du panoramique vertical)

ATTENTION
 Ne jamais transporter le trépied par l'appareil photo ou le caméscope numérique.

Nettoyage
 Nettoyez le trépied avec un chiffon doux, légèrement imprégné d'une solution détergente douce.

Spécifications
 Charge maximale : 2500 g (88 oz)
 Angle de panoramique horizontal : 360 degrés
 Niveau des pieds : 1 Fermez les pieds.
 2 Poussez la molette de réglage d'écartement vers la droite jusqu'à ce qu'elle s'encliquette.
 3 Ouvrez complètement les pieds.
 4 Retirez l'élevateur B.
 5 Retirez le vis de butée d'élevateur B, puis fixez la vis de butée d'élevateur A au raccord de l'élevateur A.

Français

AVERTISSEMENT

Toute modification ou tout changement non approuvé expressément dans ce manuel peut conduire à l'interdiction de l'emploi de cet appareil.

Caractéristiques
 Le VCT-1500L est un trépied pour appareils photo/caméscope. Il est équipé d'un pied réglable et d'un pied fixe.

Panoramic
 1 Déserrez la poignée de panor

